

INB-500-24-AA THERMOELECTRIC COOLING ASSEMBLY

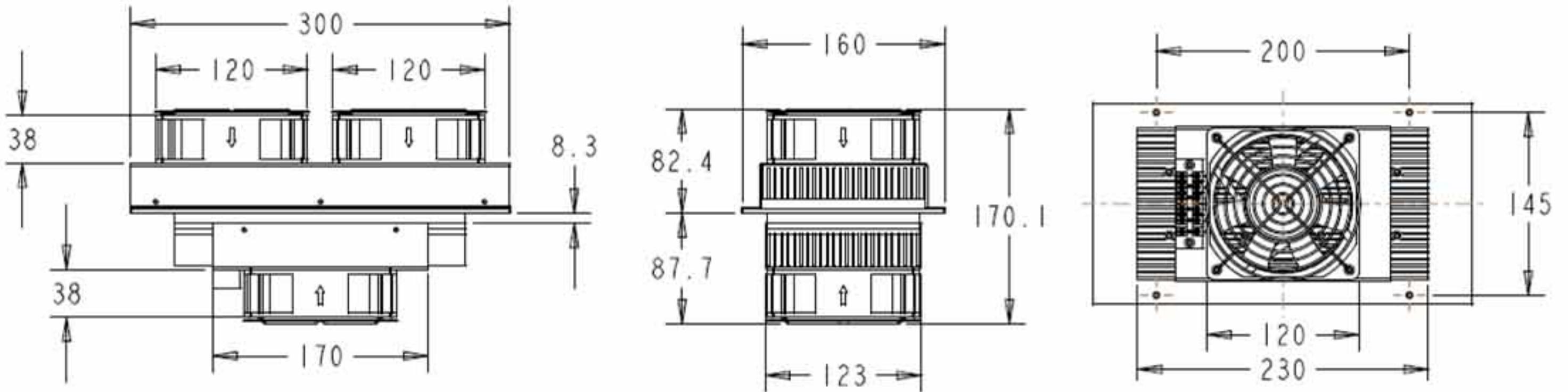
All INB-series assemblies are environmentally friendly and free from CFC gases.



SPECIFICATIONS

Cooling Capacity	512 BTU / 150 W
Input Voltage	24 VDC
Current	9.5 A / 8.2 A
Operational Temp	-10 °C / +70 °C
Weight	9.92 Lbs / 4.5 kg

DIMENSIONAL DRAWINGS



Dimensions are in mm.

PERFORMANCE CURVE

